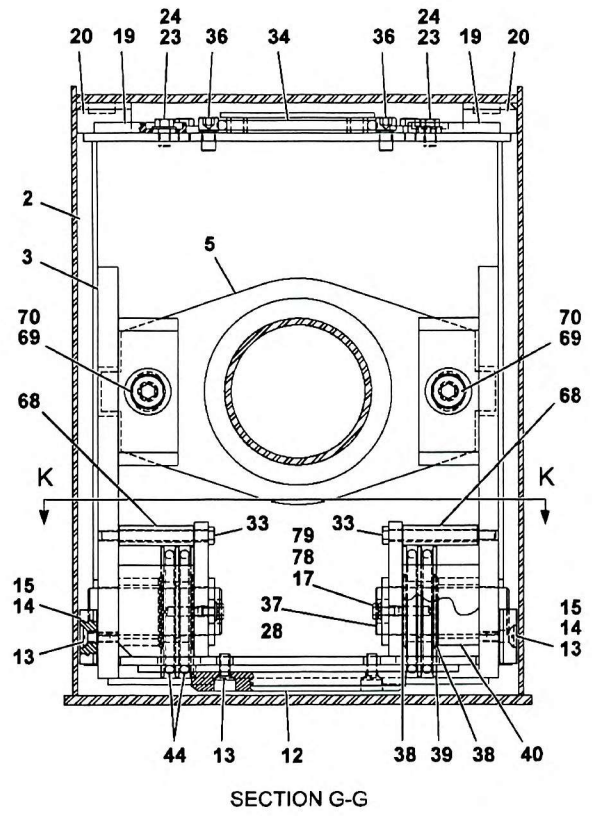
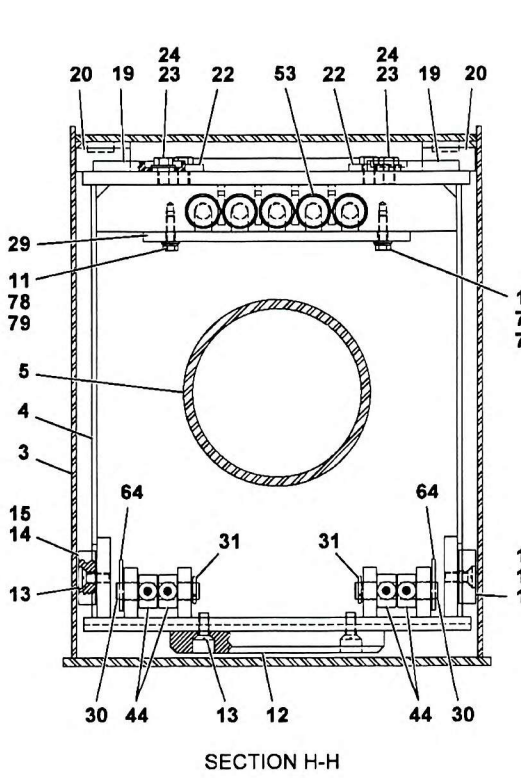
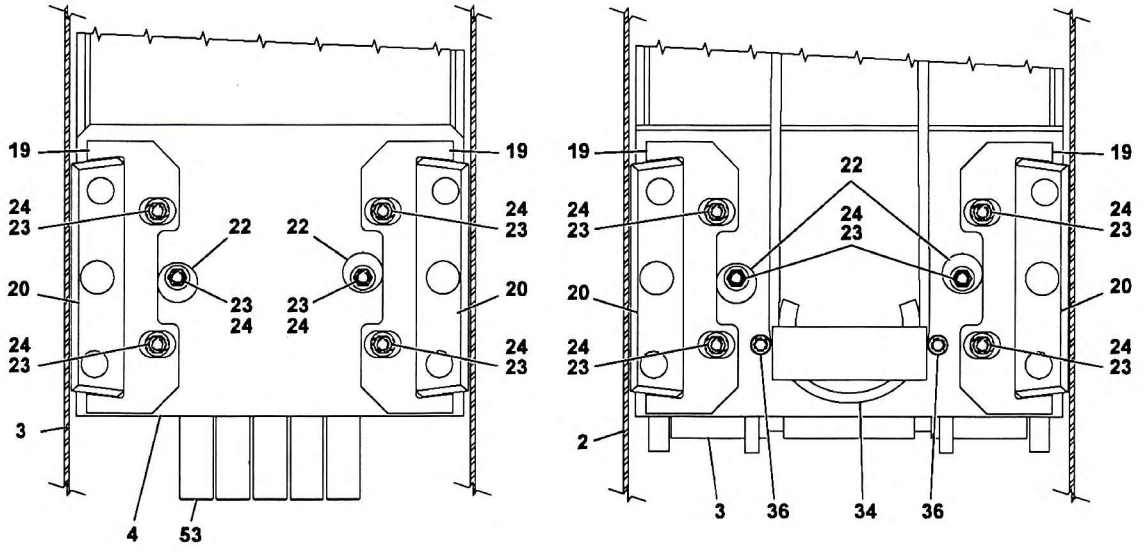
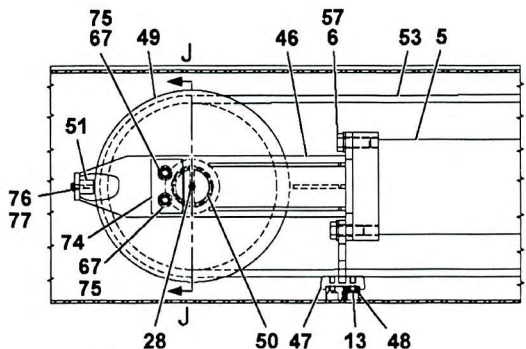
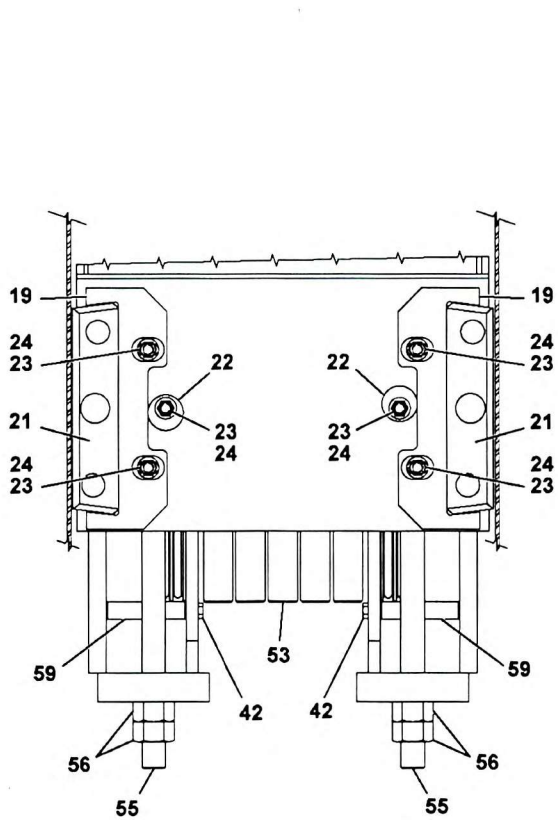


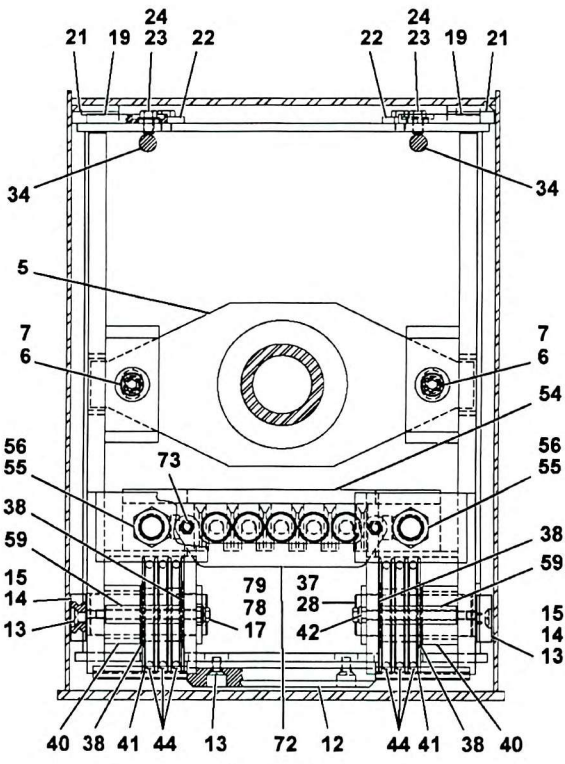
Manitowoc Crane Group



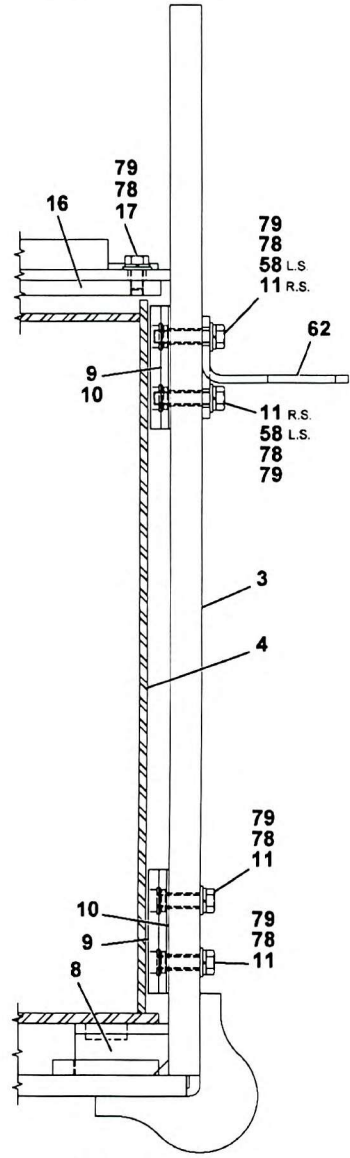
Manitowoc Crane Group



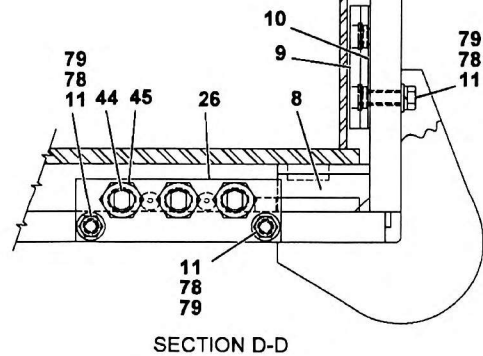
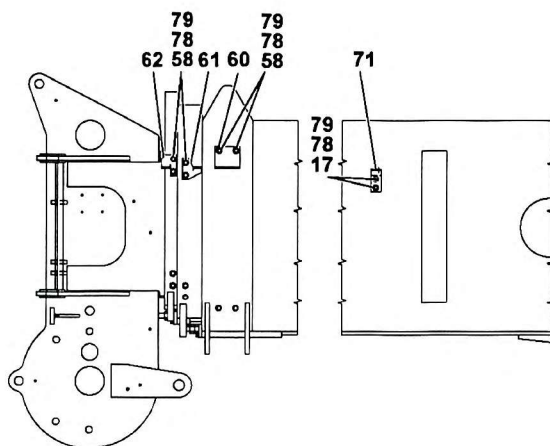
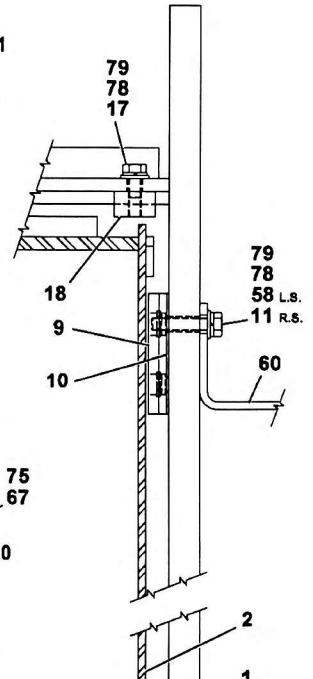
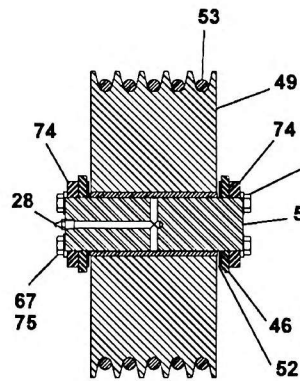
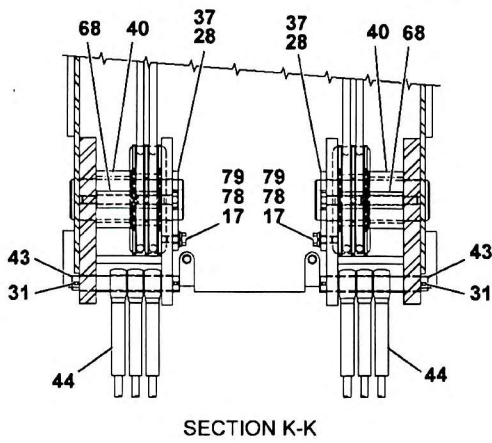
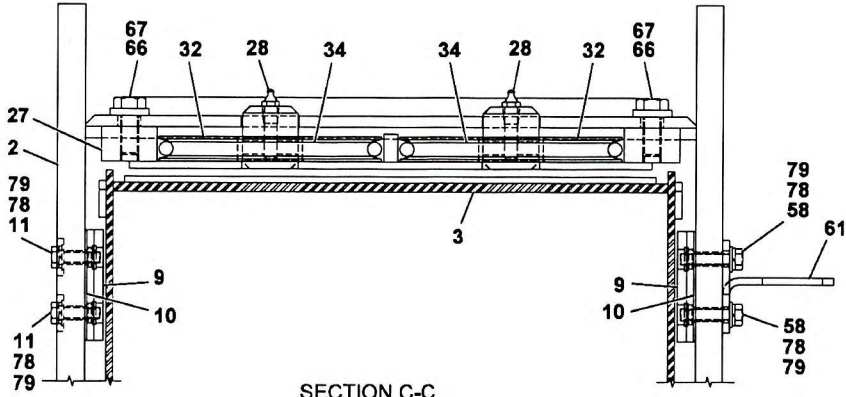
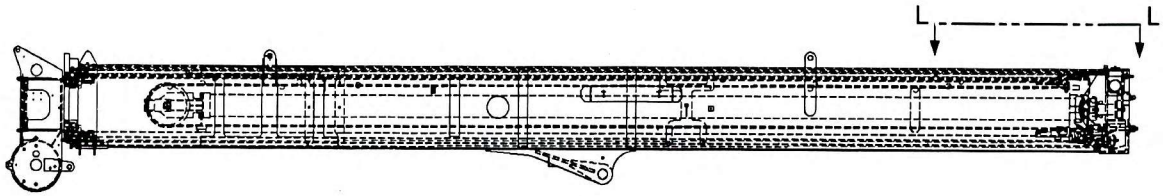
PARTIAL LEFT SIDE INTERIOR VIEW OF TELECYLINDER-EXTENSION CABLE SYSTEM



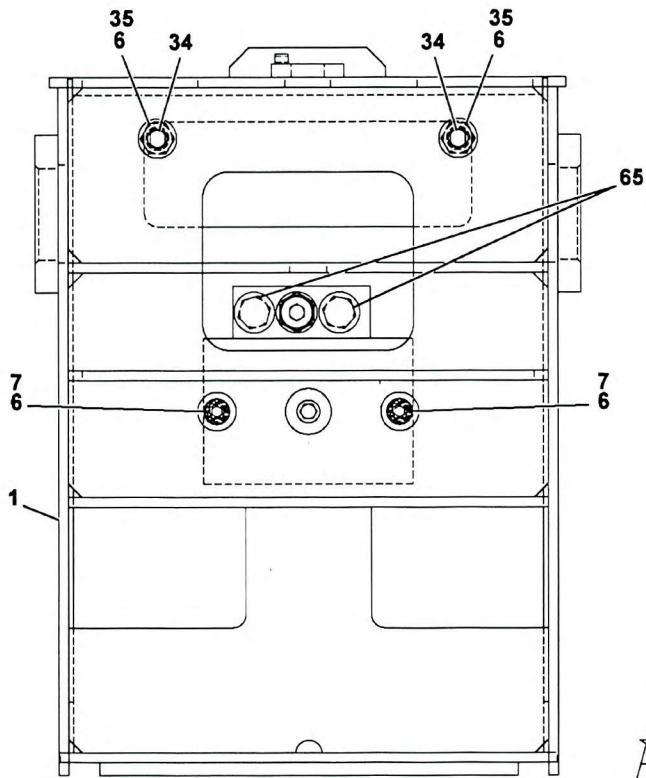
SECTION F-F



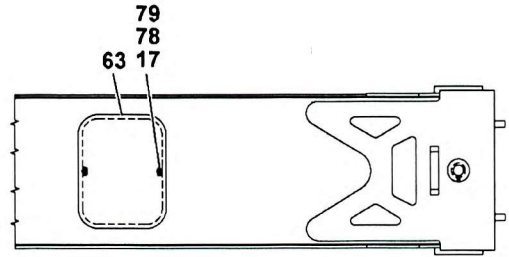
SECTION A-A



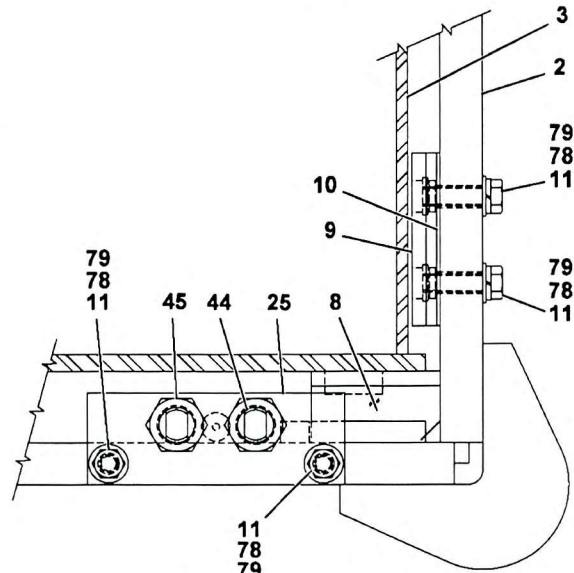
Manitowoc Crane Group



VIEW E



VIEW L-L



SECTION B-B

